

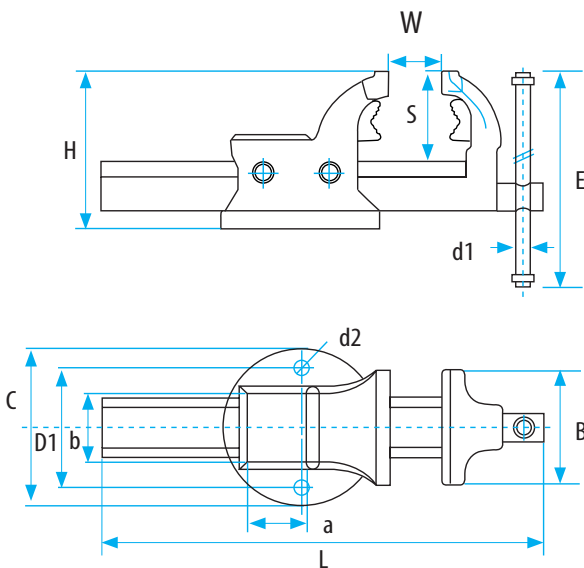
UNZERBRECHLICH

PRIMO FIX

UNBREAKABLE

PRIMO Plumber's Vice

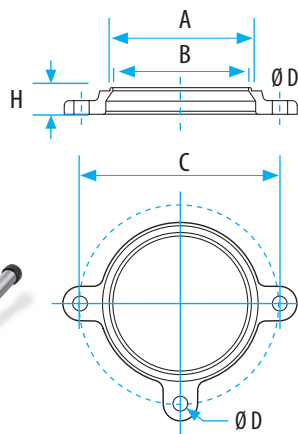
Parallel vice with 2 welded jaws for clamping pipes guarantees precision parallel clamping. Available with jaw widths from 100 mm to 160 mm. (Other technical details like Parallel-Vice).



SIZE		PRMPL-100	PRMPL-120	PRMPL-140	PRMPL-160	PRMPL-180
Jaw With	B (inch)	4"	4.5"	5.5"	6"	7"
Jaw Opening	W (inch)	4.5"	6"	7.5"	8.5"	8.5"
Total Length	L (inch)	13"	15"	18"	22"	22"
Anvil Size	axb (inch)	2.5 x 2"	2.8 x 2.7"	3.5 x 3"	4.5 x 4"	4.5 x 4"
Base Diameter	C (inch)	4.5"	6"	7"	7"	7"
Distance	Ø D1 (inch)	3.5"	4"	5.5"	5.5"	5.5"
Hole Diameter	Ø d2 (inch)	.45"	.5"	.6"	.6"	.6"
Screwhandle	Ø d1 (inch)	.5"	.5"	.6"	.7"	.7"
Jaw Depth	S (inch)	2.5"	3"	3.5"	4.5"	4.5"
Vise Height	H (inch)	4.5"	6"	7"	8"	8"
Handle Length	E (inch)	7.4"	9"	12.2"	12.4"	12.4"
Weight	lbs.	12	21	37	55	55
Clamps from *2	inch	3/8"	3/8"	3/8"	3/8"	3/8"
Clamps to *2	inch	1 1/4"	1 1/2"	2 1/2"	3"	3"

Swivel Base

Bench Vice With Swivel Base



Plastic Part	Size (inch)	A	B	C	H	D Ø	lbs.	Metal Part
PRMPSP-100	4"	4"	4"	6"	0.6"	.45"	1.7	PRMPSP-100
PRMPSP-120	4.5"	5"	5"	7"	0.7"	.5"	2.8	PRMPSP-120
PRMPSP-140	5.5"	6.5"	6"	8.5"	0.8"	.5"	4	PRMPSP-140
PRMPSP-160	6"	6.5"	6"	8.5"	1.1"	.5"	4	PRMPSP-160
PRMPSP-180	7"	6.5"	6"	8.5"	1.1"	.5"	4	PRMPSP-180



Plastic



Metal

Swivel Base: Drop forged, infinitely variable rotation between 0° and 360°. Position lockable by special bolt- screw arm. Suitable also for other brands.

KANCA
DESIGN • FORGE • SAFETY