

UNZERBRECHLICH

FORTISSIMO FIX

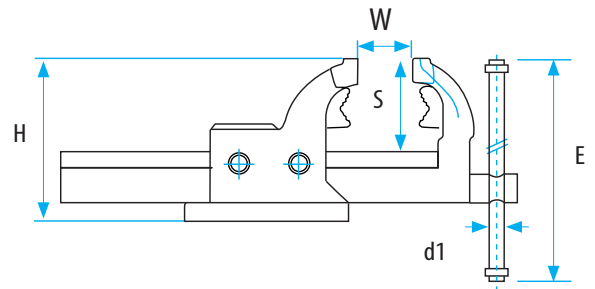
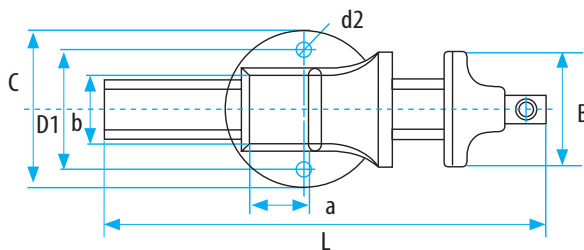
UNBREAKABLE



FORTISSIMO Plumber's Vice

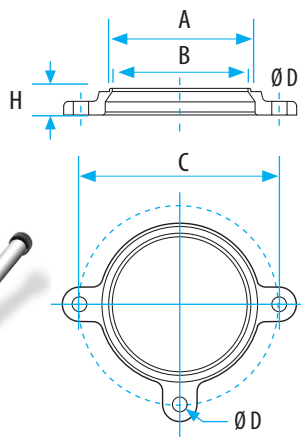
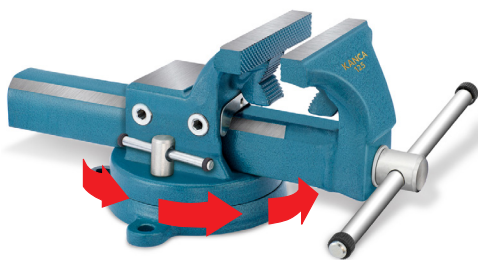
Parallel Vise with 2 welded jaws for clamping pipes.
Guarantees precision parallel clamping.
Available with jaw widths from 4" to 8".
(Other technical details like Parallel-Vise).

SIZE		FRTPM-100	FRTPM-115	FRTPM-125	FRTPM-135	FRTPM-150	FRTPM-175	FRTPM-200
Size		4"	4.5"	5"	5.5"	6"	7"	8"
Jaw Width	B (inch)	4"	4.5"	5"	5.5"	6"	7"	8"
Jaw Opening (max.)	W (inch)	5"	5.5"	6"	6.5"	7"	8"	8"
Total Length	L (inch)	12"	14"	15"	16.5"	18.5"	20"	20"
Anvil Size	axb (inch)	1 x 2"	1.5 x 2"	1.5 x 2.5"	2 x 2.5"	2.5 x 3"	2.5 x 3.5"	2.5 x 3.5"
Base Diameter	C (inch)	4.5"	5"	6"	6"	7"	8"	8"
Hole Distance	Ø D1 (inch)	3.5"	4"	4"	4.5"	5"	6.5"	6.5"
Hole Diameter	Ø d2 (inch)	.45"	.5"	.5"	.6"	.64"	.65"	.65"
Screwhandle	Ø d1 (inch)	.5"	.5"	.5"	.5"	.5"	.65"	.65"
Jaw Depth	S (inch)	2"	2.5"	2.5"	3"	3.5"	4"	4"
Vise Height	H (inch)	4.5"	5.5"	5"	6.5"	7"	7.5"	7.5"
Handle Length	E (inch)	7.4"	9"	10.6"	10.6"	12.2"	13.1"	13.1"
Weight	lbs.	11.4	17	20.5	30.8	40.7	55	57
Clamps from *2		3/8"	3/8"	3/8"	3/8"	3/8"	3/8"	3/8"
Clamps to *2		1 1/4"	1 1/2"	1 1/2"	1 1/2"	2 1/2"	3"	3"



Swivel Base

Bench Vice With Swivel Base



Plastic Part	Size (inch)	A	B	C	H	D Ø	lbs.	Metal Part
FRTSP-100	4"	4"	4"	6"	0.6"	.45"	1.7	FRTS-100
FRTSP-115	4.5"	4.5"	4.5"	6"	0.7"	.5"	2.2	FRTS-115
FRTSP-125	5"	5"	5"	7"	0.8"	.5"	2.8	FRTS-125
FRTSP-135	5.5"	5.5"	5.5"	7.5"	0.9"	.6"	3	FRTS-135
FRTSP-150	6"	6"	6"	8.5"	0.9"	.6"	4.4	FRTS-150
FRTSP-175	7"	7"	7"	9.5"	1.1"	.65"	5.7	FRTS-175
FRTSP-200	8"	7"	7"	9.5"	1.1"	.65"	5.7	FRTS-200



Swivel Base: Drop forged, infinitely variable rotation between 0° and 360°. Position lockable by special bolt- screw arm. Suitable also for other brands.

KANCA
DESIGN • FORGE • SAFETY