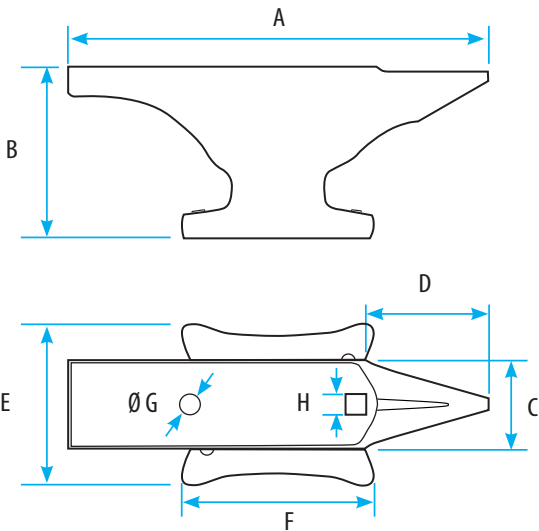




Drop-Forged Unicus Anvils

All steel drop-forged anvils with surface-hardened face.



Part	A	B	C	D	ExF	G Ø	H □	kg.
	550	220	115	160	210x250	23	25	50



Material: High quality forged steel
Surface hardened: 54-62 HRC

