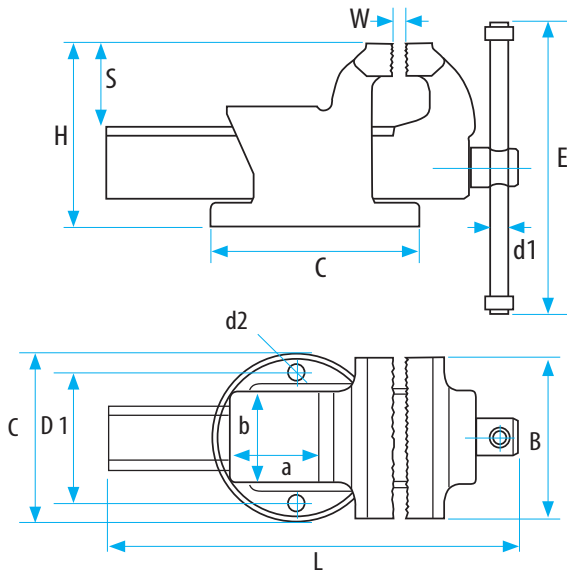




CASTILLO Vice / Sfero Casting

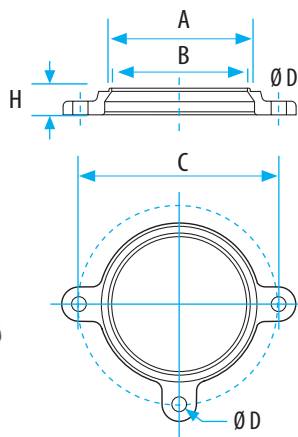
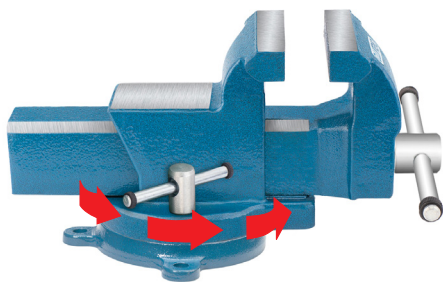
All-steel, drop forged (CF45 Steel). Jaws and anvil induction hardened (HRC 52-58). Adjustable jaw alignment system guarantees precision clamping. Sliding guides are protected against contamination. All Vises are equipped with fixtures for removable snap-on pipe jaws for various applications.



SIZE		CAS-100	CAS-125	CAS-150	CAS-200
Jaw With	B (inch)	4"	5"	6"	7"
Jaw Opening	W (inch)	5"	6"	6.5"	8"
Total Length	L (inch)	12"	13"	15"	16"
Anvil Size	axb (inch)	2 x 2.5"	2 x 2.5"	3.7 x 3.5"	3.7 x 3.5"
Base Diameter	C (inch)	3.5"	4"	5"	5.5"
Distance	Ø D1 (inch)	.5"	.5"	.6"	.6"
Hole Diameter	Ø d2 (inch)	.5"	.5"	.6"	.6"
Screwhandle	Ø d1 (inch)	7"	9"	10.6"	9"
Jaw Depth	S (inch)	2"	2"	2.5"	2.5"
Vise Height	H (inch)	5"	5.5"	6.5"	7"
Handle Length	E (inch)	7.4"	10.6"	12.2"	13.1"
Weight	lbs.	15	20	35	48

Swivel Base

Bench Vice With Swivel Base



Plastic Part	Size (inch)	A	B	C	H	D Ø	lbs.	Metal Part
CASP-100	4"	4"	4"	6"	0.6"	.45"	1.7	CASR-100
CASP-125	4.5"	5"	5"	7"	0.7"	.5"	2.8	CASR-125
CASP-150	5.5"	6.5"	6"	8.5"	0.8"	.5"	4	CASR-150
CASP-200	6"	6.5"	6"	8.5"	1.1"	.5"	4	CASR-200



Plastic



Metal

Swivel Base: Drop forged, infinitely variable rotation between 0° and 360°. Position lockable by special bolt- screw arm. Suitable also for other brands.