

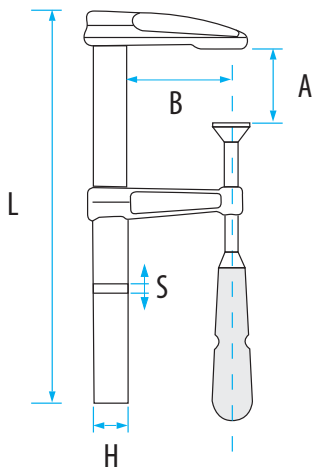
DROP FORGED


KANCA

SLIDING CLAMP LIGHT

CARPENTER SLIDING CLAMP LIGHT

Swivel Base: Drop forged, infinitely variable rotation between 0° and 360°. Position lockable by special bolt- screw arm. Suitable also for other brands.



Part	A (inch)	B (inch)	HxS (inch)	L (inch)	lbs.	
LSC - 100	4"	3"	.5 x .23"	4"	1.4	12
LSC - 150	6"	3"	.5 x .23"	6"	1.5	12
LSC - 200	8"	3"	.5 x .23"	8"	1.63	12
LSC - 250	10"	3"	.5 x .23"	10"	1.78	12
LSC - 300	12"	3"	.5 x .23"	12"	1.90	12
LSC - 350	14"	3"	.5 x .23"	14"	1.98	12
LSC - 400	16"	3"	.5 x .23"	16"	2.12	12