

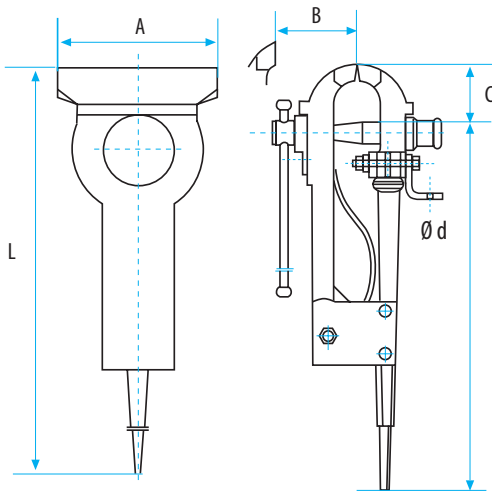
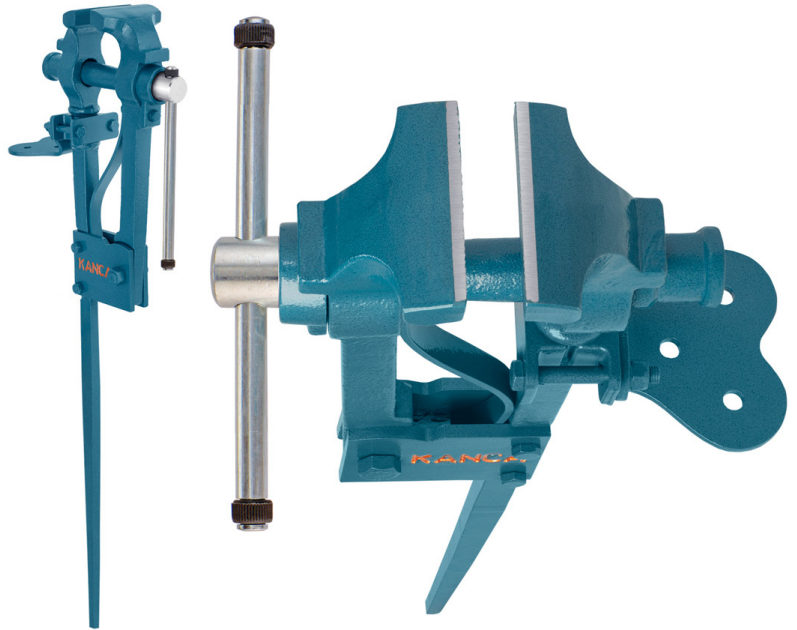
DROP FORGED

KANCA

SHANK VISE

Shank Vise

Steel cast (SAE 1323) induction hardened jaws



Part	Size (inch)	B	C	L	D Ø	lbs.
LV-125	5"	5.5"	3"	41.5"	.5"	52.9
LV-150	6"	6"	3"	41.5"	.5"	55



Shank Vise for Smith:
Steel cast (SAE 1323) induction hardened jaws

Swivelling 180°



KANCA
DESIGN • FORGE • SAFETY