

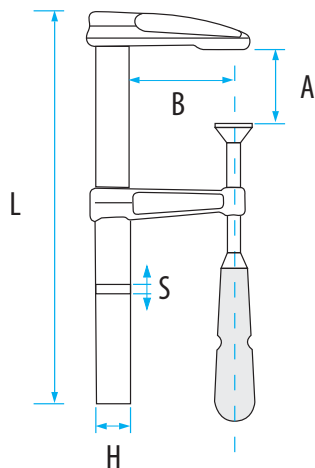
DROP FORGED


KANCA

SLIDING CLAMP

CARPENTER SLIDING CLAMP

Swivel Base: Drop forged, infinitely variable rotation between 0° and 360°. Position lockable by special bolt-screw arm. Suitable also for other brands.



Part	A (inch)	B (inch)	HxS (inch)	L (inch)	lbs.	
CSC - 200	8"	4.5"	1 x .43	8"	5.62	6
CSC - 250	10"	4.5"	1 x .43	10"	5.84	6
CSC - 300	12"	4.5"	1 x .43	12"	6.17	6
CSC - 400	16"	4.5"	1 x .43	16"	6.83	6
CSC - 500	20"	4.5"	1 x .43	20"	7.27	6
CSC - 600	24"	4.5"	1 x .43	24"	7.93	6
CSC - 700	28"	4.5"	1 x .43	28"	8.6	6
CSC - 800	32"	4.5"	1 x .43	32"	9.25	6
CSC - 900	36"	4.5"	1 x .43	36"	9.81	6
CSC - 1000	40"	4.5"	1 x .43	40"	10.58	6
CSC - 1100	44"	4.5"	1 x .43	44"	11.02	6
CSC - 1200	48"	4.5"	1 x .43	48"	11.68	6
CSC - 1300	52"	4.5"	1 x .43	52"	12.34	6
CSC - 1400	56"	4.5"	1 x .43	56"	13.12	6
CSC - 1500	60"	4.5"	1 x .43	60"	13.67	6
CSC - 2000	80"	4.5"	1 x .43	80"	16.75	6

KANCA
DESIGN • FORGE • SAFETY