

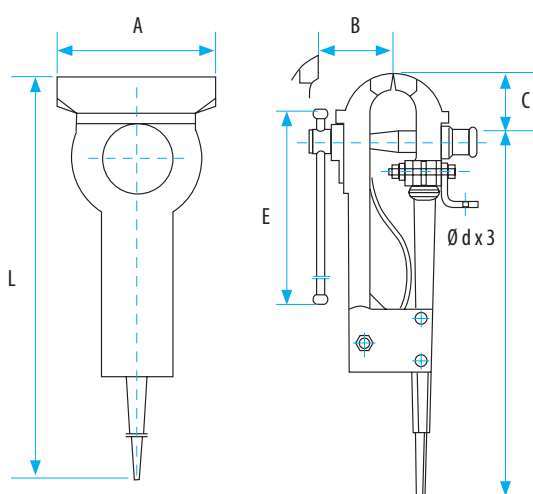
DROP FORGED


KANCA

SHANK VICE

Shank Vice

Shank Vice for Smith:
Steel cast (SAE 1323) induction hardened jaws



Code	Size (mm)	A (mm)	B (mm)	C (mm)	L (mm)	Ø D (mm)	E (mm)	Ø dx3 (mm)	kg	
60220100125	125	125	150	90	1065	18	135	13	24	1
60220100150	150	150	160	90	1065	18	135	13	25	1

