

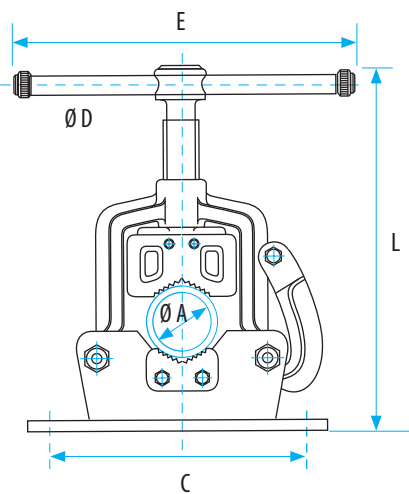
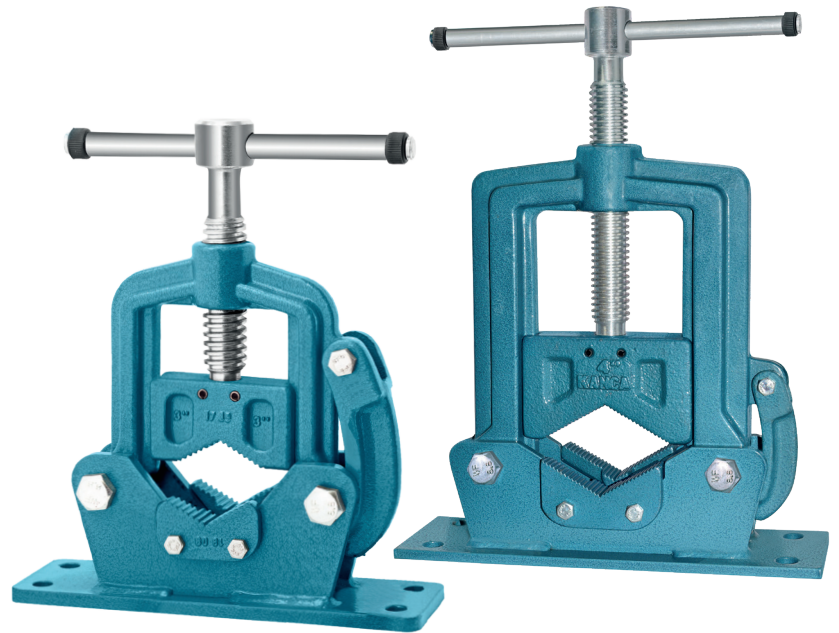
DROP FORGED


KANCA

FOLD-OUT PIPE VICE

Fold-Out Pipe Vice

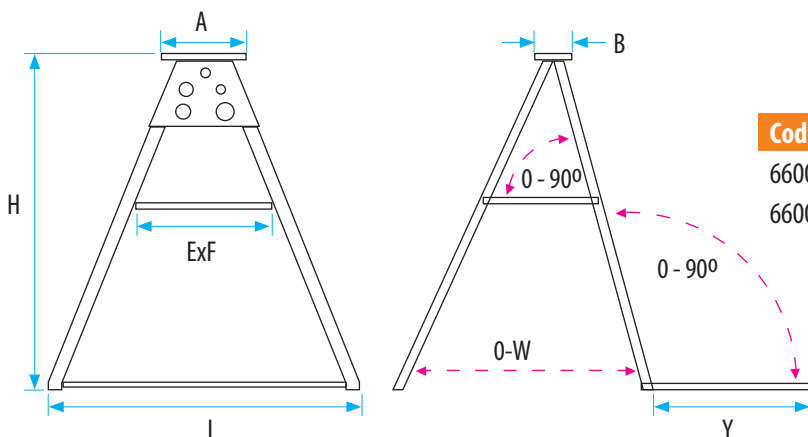
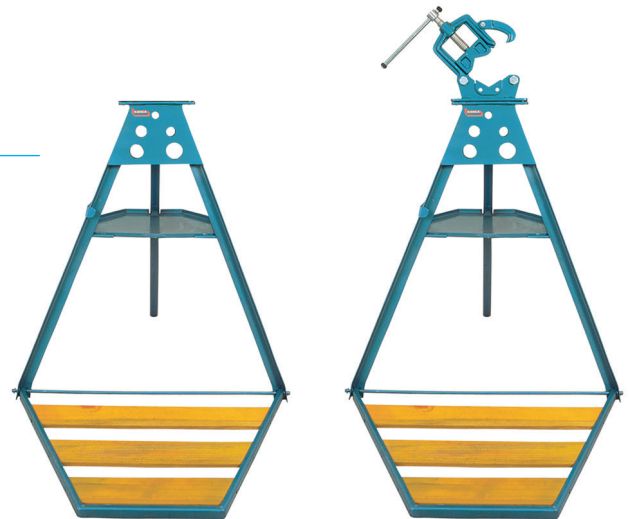
Made from high quality and drop-forged steel.
Hardened frame and jaws.
Adjustable through self-locking screws.



Code	Ø A (mm)	inch	E (mm)	Ø D (mm)	L (mm)	C (mm)	min. Clamping Range (mm)	max. Clamping Range (mm)	kg	
60205500002	60	2"	190	13	285	200	9.50	60.80	5.0	1
60205500003	90	3"	190	15	349	200	9.50	89.50	6.4	1
60205500004	113	4"	270	15	495	285	12.70	115.00	16.0	1

Portable Workstand

- Working support for pipe vices. Suitable for 2" and 3" fold-out pipe vices.
- An indispensable tool for works on building sites.
- Equipped with storage shelf for tools and hinged floor board for stability.



Code	AxB (mm)	H (mm)	L (mm)	ExF (mm)	Y (mm)	kg
66002210002	230x70	940	865	390x290	590	22
66002210003	230x70	940	865	390x290	590	23,4

KANCA
DESIGN • FORGE • SAFETY