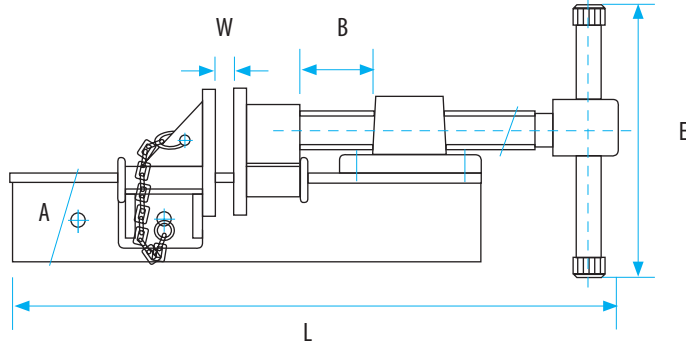
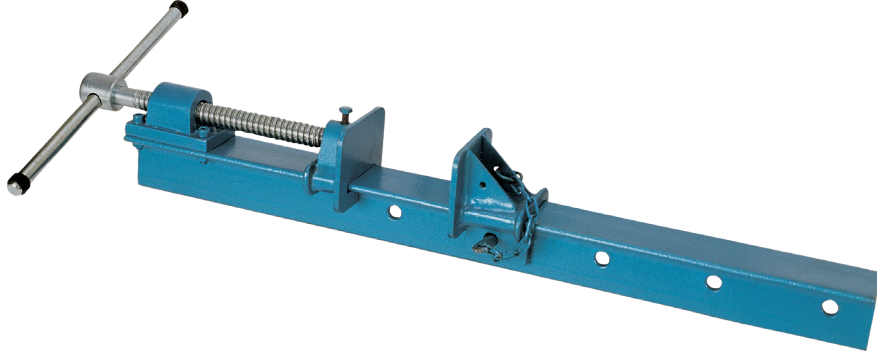



KANCA

T İŞKENCE

T İşkence



	W	B	T	L		
Ürün Kodu	(mm)	(mm)	(mm)	(mm)	gr.	
60103010100	1000	115	T5X50X50	1280	6.550	1
60103010120	1200	115	T5X50X50	1480	7.380	1
60103010140	1400	115	T5X50X50	1680	8.200	1
60103010150	1500	115	T5X50X50	1780	8.600	1
60103010160	1600	115	T5X50X50	1880	9.050	1
60103010180	1800	115	T5X50X50	2080	9.850	1
60103010200	2000	115	T5X50X50	2280	10.700	1
60103010220	2200	115	T5X50X50	2480	11.100	1
60103010250	2500	115	T5X50X50	2780	11.500	1
60103010300	3000	115	T5X50X50	3280	11.750	1

KANCA
DESIGN • FORGE • SAFETY