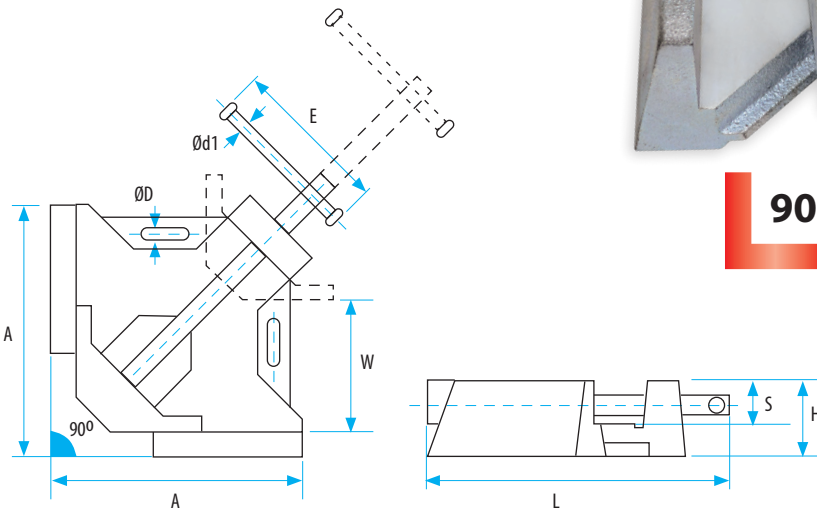


# RIGHT ANGLE CLAMP

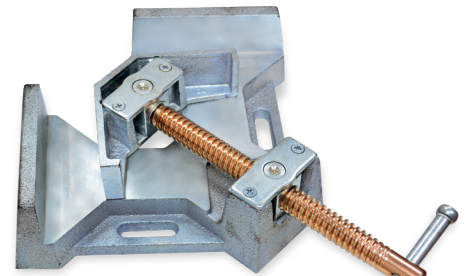
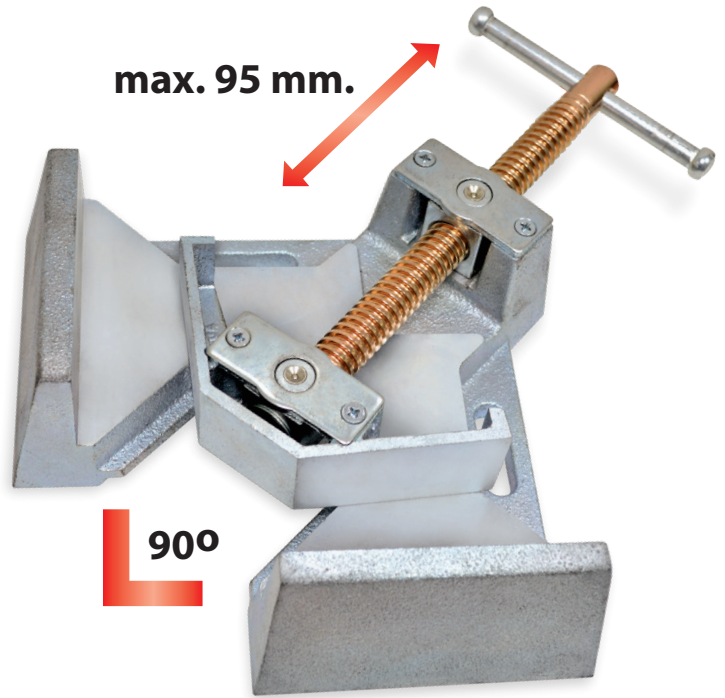
Angle Clamp, 90 deg., Function For Welding, Holding, Fixing, And Aligning Material At An Exact Right Angle

- Holds and aligns materials at a 90° angle
- Automatically adjusts to hold together work pieces of different widths.
- Sturdy jaws and base made from high grade cast iron.
- Copper plated spindles resist spatter
- Open design allows for use on T-joints



max. 95 mm.

90°



Code	Size (mm)	A (mm)	H (mm)	S (mm)	W max. (mm)	L min. (mm)	Ø D (mm)	Ød1 (mm)	E (mm)	kg
60211010090	95	200	60	35	95	245	10.5	10.5	125	3.8

