

# LIFT/MOBIL



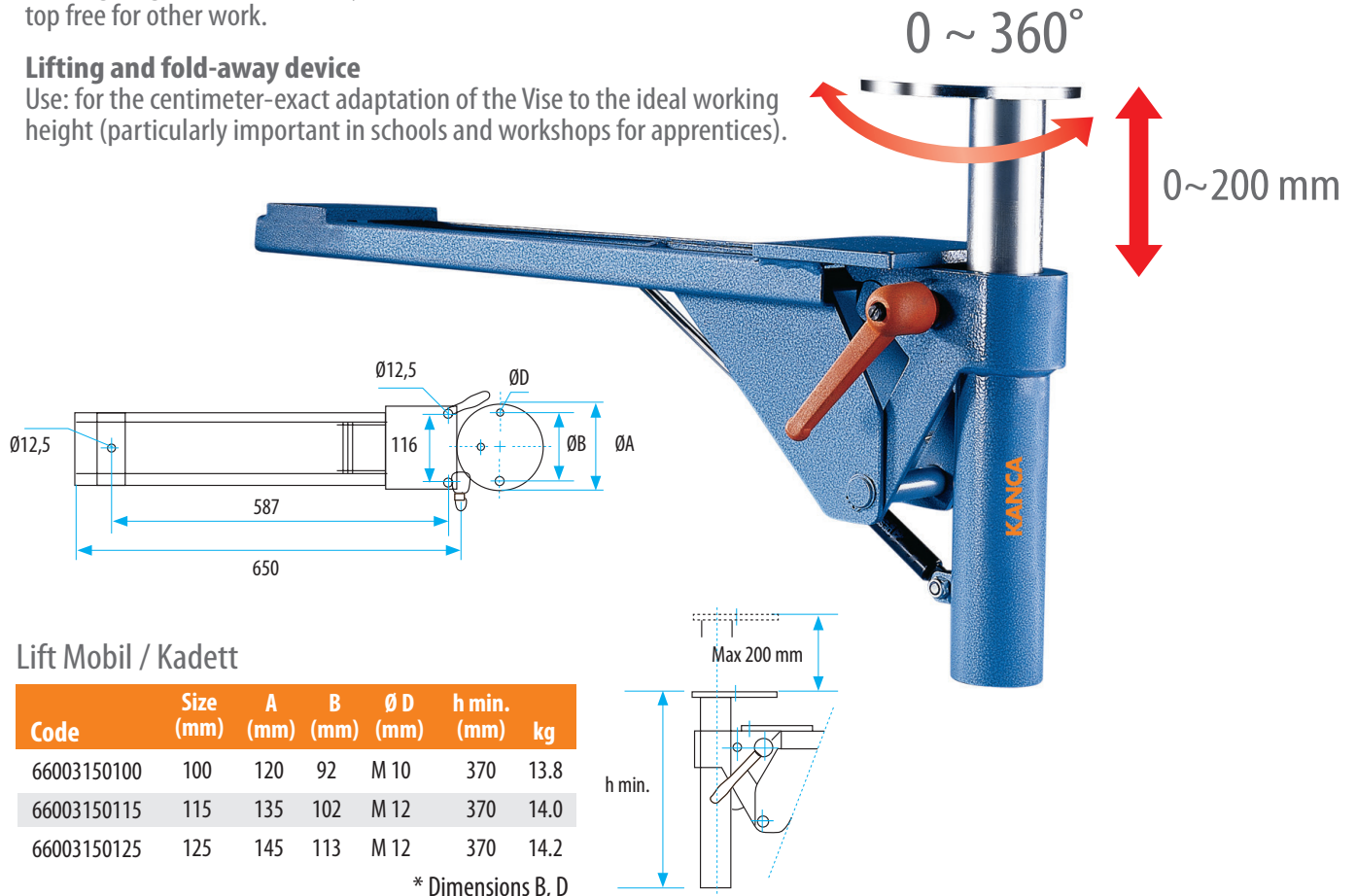
## Lifting and Fold-Away Device / Kadett

**Indispensable for any workbench Clamping Screw**  
**Perfect quality for workshops and plants.**

With LIFT-MOBIL the Vise can be easily set to the most comfortable working height and folded away under workbench to leave the bench top free for other work.

### Lifting and fold-away device

Use: for the centimeter-exact adaptation of the Vise to the ideal working height (particularly important in schools and workshops for apprentices).



### Lift Mobil / Kadett

Code	Size (mm)	A (mm)	B (mm)	Ø D (mm)	h min. (mm)	kg
66003150100	100	120	92	M 10	370	13.8
66003150115	115	135	102	M 12	370	14.0
66003150125	125	145	113	M 12	370	14.2

\* Dimensions B, D



After loosening the left safety clamping lever the Vise can be easily adjusted into the desired working position.



At non usage the Vise can be lowered by the right safety clamping lever under the workbench.



Effortlessly the Vise is then shifted under the workbench.



In a few seconds the bench top gets free in full size for other works.