

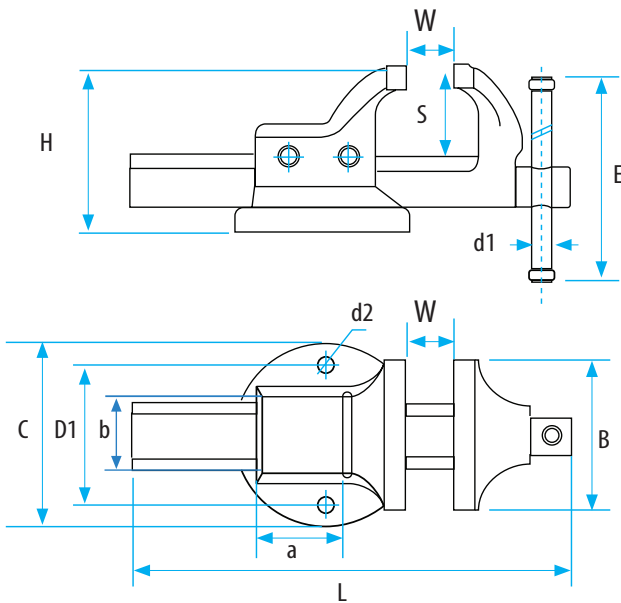
DROP FORGED



UNBREAKABLE

KANEX Parallel Vice

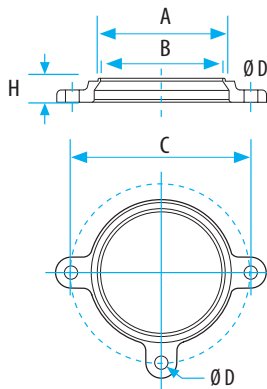
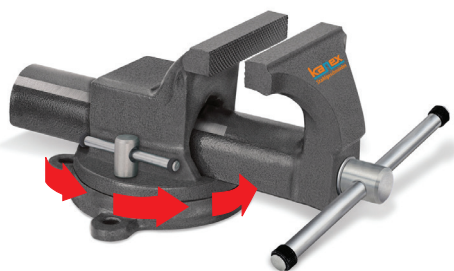
All-steel, drop forged (CF45 Steel).
Jaws induction hardened (HRC 52-58).
LONG TIME GUARANTEE



Code		60210150125	60210150150
Size		125	150
Jaw With	B mm	125	150
Jaw Opening	W mm	120	190
Total Length	L mm	340	420
Anvil Size	axb mm	48x70	60x75
Base Diameter	C mm	145	175
Distance	D1 mm	113	137
Hole Diameter	d2 mm	13,5	16,5
Screwhandle	d1 mm	15	15
Screwhandle Length	E mm	210	270
Jaw Depth	S mm	69,5	91,5
Vise Height	H mm	132	176
Weight	kg	8,8	17

Swivel Base

Bench Vice With Swivel Base



Code	Size (mm)	A	B	C	ØD	kg
66002150125	125	107	103	150	11,5	0,8
66002150150	150	135	129	185	13,5	1,3



Drop forged, infinitely variable rotation between 0° and 360°.
Position lockable by special bolt- screw arm. Suitable also for other brands.

KANCA
DESIGN • FORGE • SAFETY