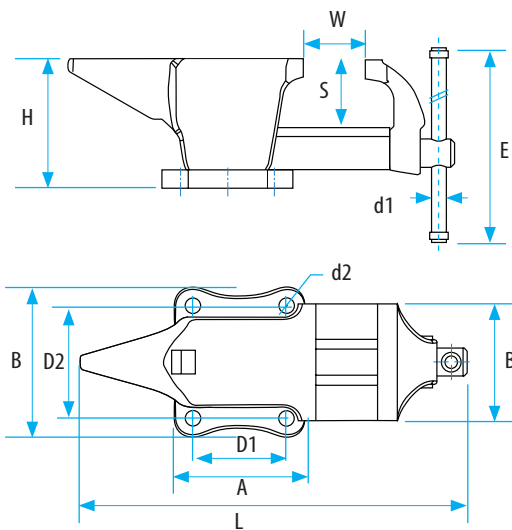




## ANVILLO Anvil & Vice

All-steel, drop forged (CF45 Steel). Jaws and anvil induction hardened (HRC 50-60). Large anvil for straightening and other forming work.

Happiness is doubled when shared



Code		61602010125	
Size			125
Jaw Width	B	mm	125
Jaw Opening	W	mm	100
Jaw Depth	S	mm	73.5
Height	H	mm	138.5
Length	L	mm	450
Hole Distance	D1* D2	mm	100*110
Screwhandle	d1	mm	13
Screwhandle Length	E	mm	240
Hole Diameter	d2	mm	13
Table size	A* B	mm	140*160
Weight		kg	17

